



Connectors > PCB Connectors > Wire-to-Board Connectors > Wire-to-Board Connector Contacts



Contact Type: **Socket**

Connector System: **Wire-to-Board**

Wire Size: **.12 – .4 mm<sup>2</sup>**

## Features

### Product Type Features

Applied Pressure	Standard
Connector System	Wire-to-Board
Connector & Contact Terminates To	Wire & Cable

### Configuration Features

Compatible With Wire & Cable Type	Discrete Wire
-----------------------------------	---------------

### Contact Features

Mating Square Post Dimension	.64 mm[.025 in]
Wire Contact Termination Area Plating Thickness	.8 μm
Wire Contact Termination Area Plating Material	Tin
Contact Mating Area Plating Material Thickness	.8 μm
Contact Base Material	Phosphor Bronze
Contact Type	Socket
Contact Mating Area Plating Material	Tin
Contact Current Rating (Max)	3 A

### Termination Features



Termination Method to Wire & Cable	Crimp
------------------------------------	-------

### Mechanical Attachment

Wire Insulation Support	With
Connector Mounting Type	Cable Mount (Free-Hanging)

### Dimensions

Accepts Wire Insulation Diameter Range	.89 – 1.55 mm [.035 – .061 in]
Wire Size	.12 – .4 mm <sup>2</sup>

### Usage Conditions

Operating Temperature Range	-40 – 80 °C [-40 – 176 °F]
-----------------------------	----------------------------

### Operation/Application

Circuit Application	Signal
---------------------	--------

### Packaging Features

Packaging Quantity	2000
Packaging Method	Loose Piece

### Product Compliance

[For compliance documentation, visit the product page on TE.com>](#)

EU RoHS Directive 2011/65/EU	Compliant
EU ELV Directive 2000/53/EC	Compliant
China RoHS 2 Directive MIIT Order No 32, 2016	No Restricted Materials Above Threshold
EU REACH Regulation (EC) No. 1907/2006	Current ECHA Candidate List: JUNE 2022 (224) Candidate List Declared Against: JUNE 2022 (224) Does not contain REACH SVHC
Halogen Content	Low Halogen - Br, Cl, F, I < 900 ppm per homogenous material. Also BFR/CFR/PVC Free
Solder Process Capability	Not applicable for solder process capability

#### Product Compliance Disclaimer

This information is provided based on reasonable inquiry of our suppliers and represents our current actual knowledge based on the information they provided. This information is subject to change. The part numbers that TE has identified as EU RoHS compliant have a maximum concentration of 0.1% by weight in homogenous materials for lead, hexavalent chromium, mercury, PBB, PBDE, DBP, BBP, DEHP, DIBP, and 0.01% for cadmium, or qualify for an exemption to these limits as defined in the Annexes of Directive 2011/65/EU (RoHS2). Finished electrical and electronic equipment products will be CE marked as required by Directive 2011/65/EU. Components may not be CE marked. Additionally, the part numbers that TE has identified as EU ELV compliant have a maximum concentration of 0.1% by weight in homogenous materials for lead, hexavalent chromium, and mercury, and 0.01% for cadmium, or qualify for an exemption to these limits

as defined in the Annexes of Directive 2000/53/EC (ELV). Regarding the REACH Regulation, the information TE provides on SVHC in articles for this part number is based on the latest European Chemicals Agency (ECHA) 'Guidance on requirements for substances in articles' posted at this URL: <https://echa.europa.eu/guidance-documents/guidance-on-reach>

## Compatible Parts



TE Part # 58535-1  
PRO-CRIMPER ASSY MODU MODII



TE Part # 280514  
AMPMODU II REC. HSG, SINGLE ROW, 12 POS.



TE Part # 280366  
AMPMODU II REC. HSG DUAL ROW, 16 POS.



TE Part # 280365  
AMPMODU, DBL ROW, CONTACT REC



TE Part # 280515  
AMPMODU II REC. HSG, DUAL ROW, 24 POS.



TE Part # 280360  
AMPMODU II REC. HSG, SINGLE ROW 6 POS



TE Part # 280513  
AMPMODU II REC. HSG, DUAL ROW, 18 POS




TE Part # 280359  
AMPMODU II REC. HSG, SINGLE ROW, 4 POS.



TE Part # 280368  
AMPMODU II REC. HSG, DUAL ROW, 30 POS.



TE Part # 280363  
AMPMODU II REC. HSG, SINGLE ROW, 15 POS.



TE Part # 284123-1  
AMPMODU II REC. HSG, DUAL ROW, 10 POS.



TE Part # 58654-1  
PRO-CRIMP TL & DIE MOD II



TE Part # 280362  
AMPMODU II REC. HSG, SINGLE ROW, 10 POS.



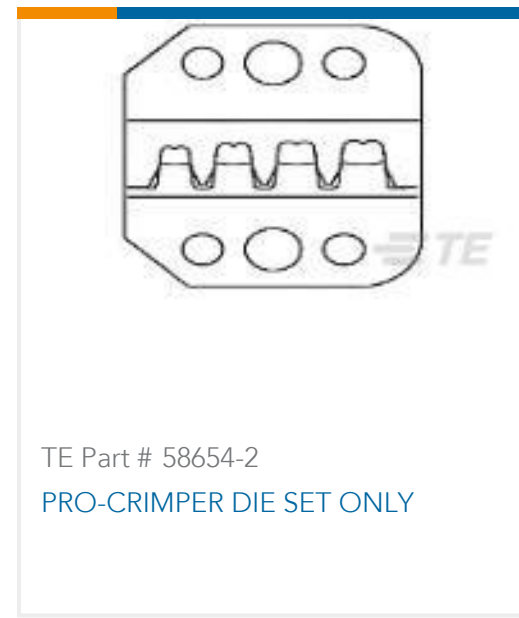
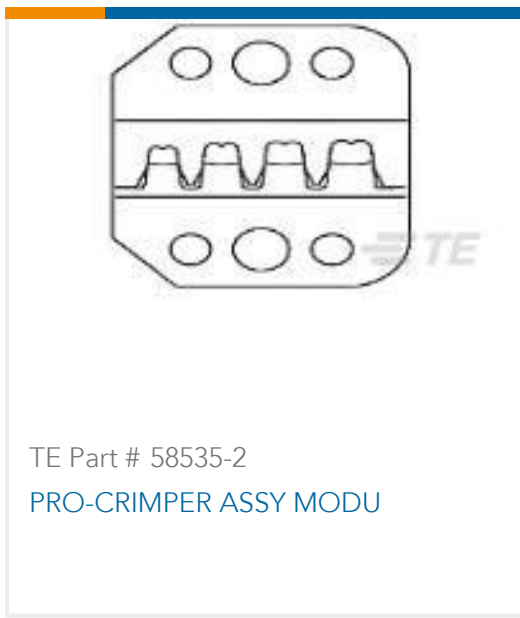
TE Part # 280358  
AMPMODU II REC. HSG, SINGLE ROW 2 POS



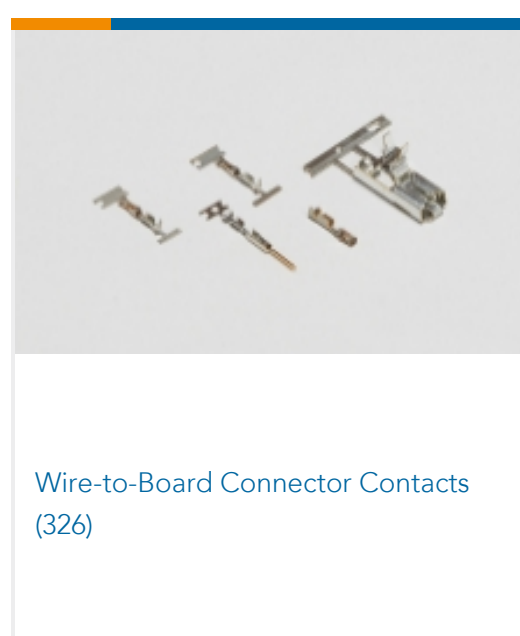
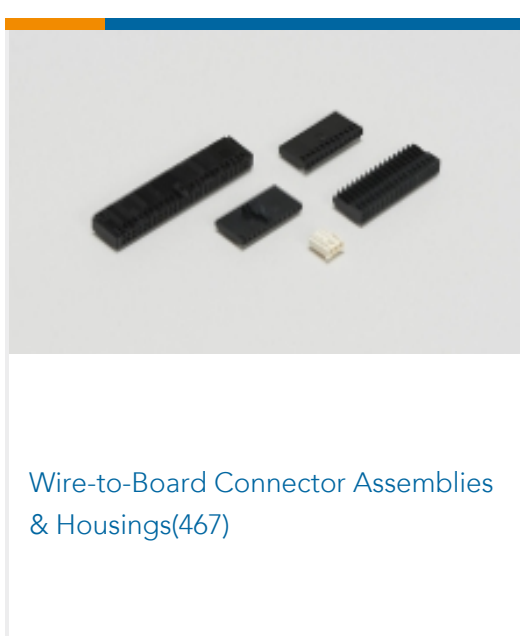
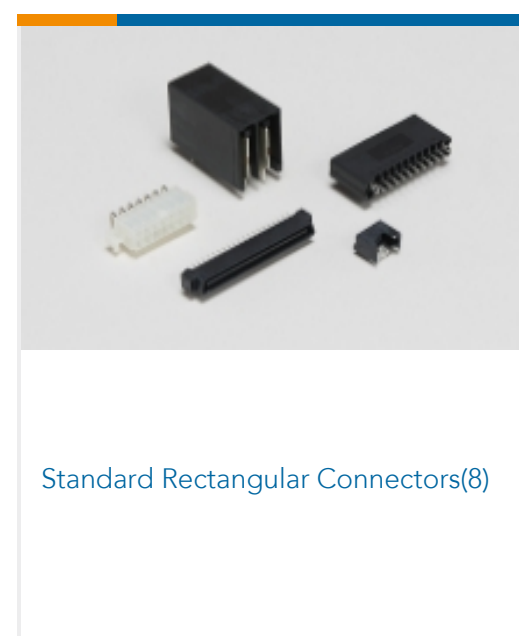
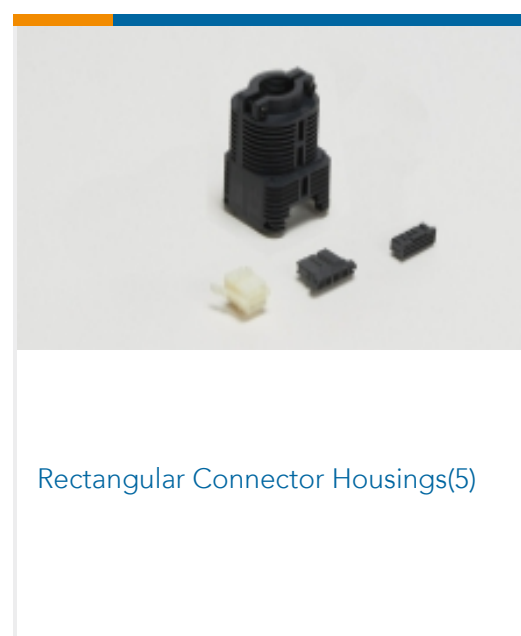
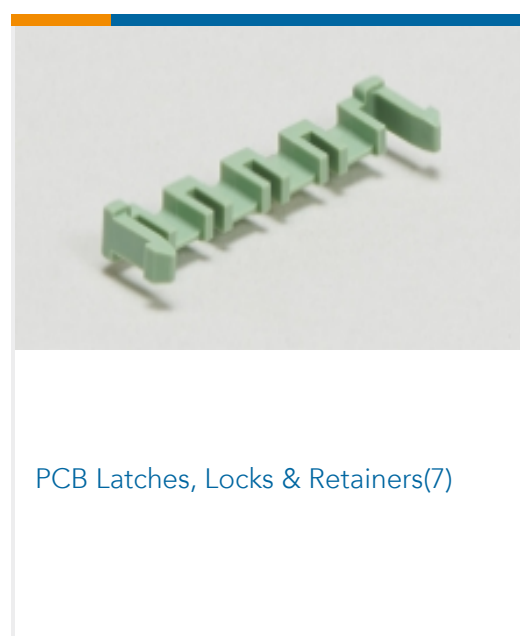
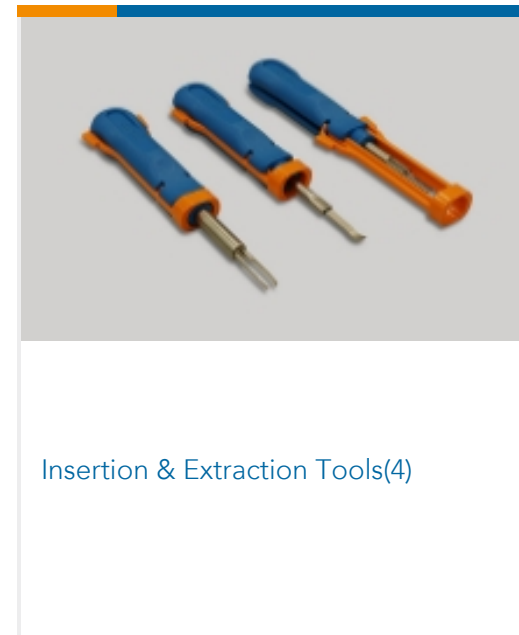
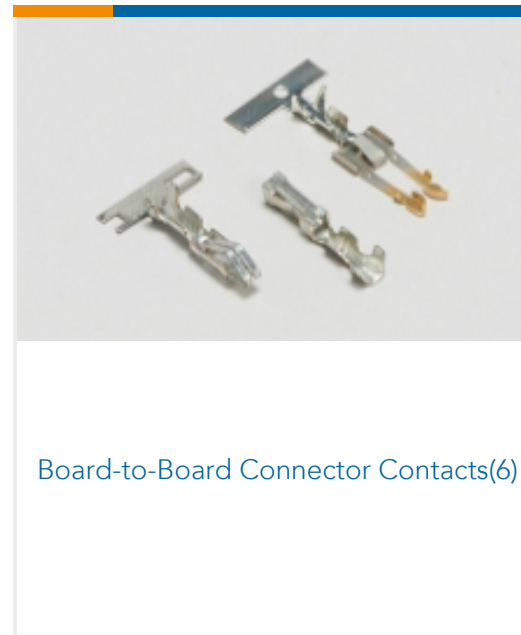
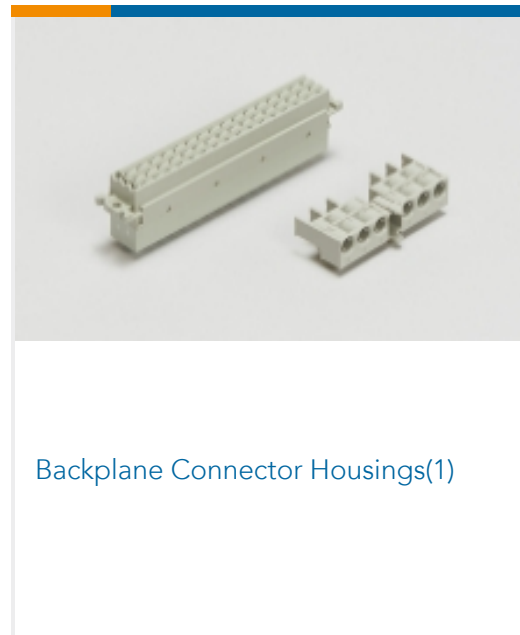
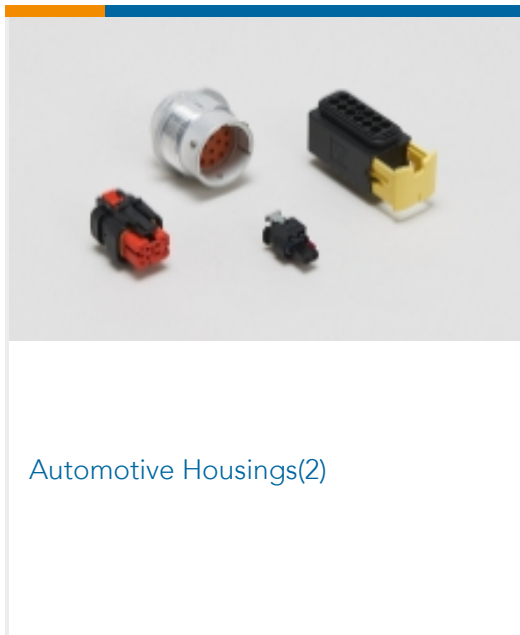
TE Part # 280512  
AMPMODU II REC. HSG, SINGLE ROW, 9 POS.



TE Part # 281018  
AMPMODU II REC. HSG, DUAL ROW, 36 POS.



## Also in the Series | AMPMODU IV/V





## Documents

### Product Drawings

#### MOD 2 TERMINAL

English

---

### CAD Files

#### Customer View Model

[ENG\\_CVM\\_182206-2\\_S.3d\\_igs.zip](#)

English

#### Customer View Model

[ENG\\_CVM\\_182206-2\\_S.3d\\_stp.zip](#)

English

#### Customer View Model

[ENG\\_CVM\\_182206-2\\_S.2d\\_dxf.zip](#)

English

### 3D PDF

English

By downloading the CAD file I accept and agree to the [Terms and Conditions](#) of use.

---

### Product Specifications

#### Application Specification

English

---

### Product Environmental Compliance

#### Product Compliance

English

#### Product Compliance

English